

6.5 INCH POWERBAND™ AUDIO KIT



P/N 2883666, 2883670

APPLICATION

Kit PN: 2883666 fits MY19 and newer Indian® Chieftain®

Kit PN: 2883670 fits MY19 and newer Indian® Chieftain® Classic and Roadmaster®

Verify accessory fitment at www.indianmotorcycle.com.

IMPORTANT

This cannot be used with Saddlebag Lid Racks Kits (PN 2879579-XXX or 2883402-XXX)

BEFORE YOU BEGIN

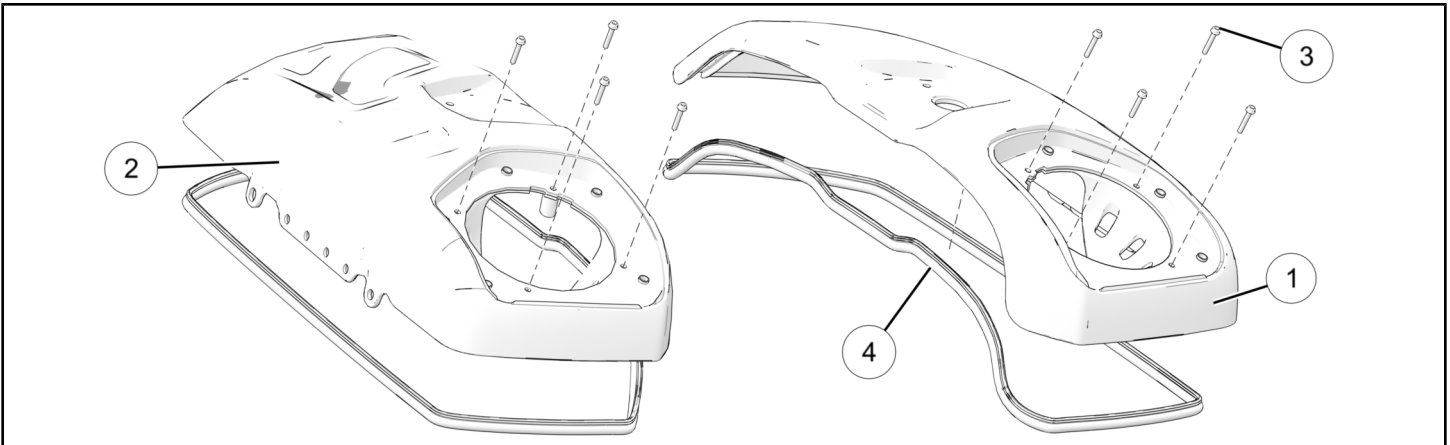
Read these instructions and check to be sure all parts and tools are accounted for. Please retain these installation instructions for future reference and parts ordering information.

KIT CONTENTS

NOTE

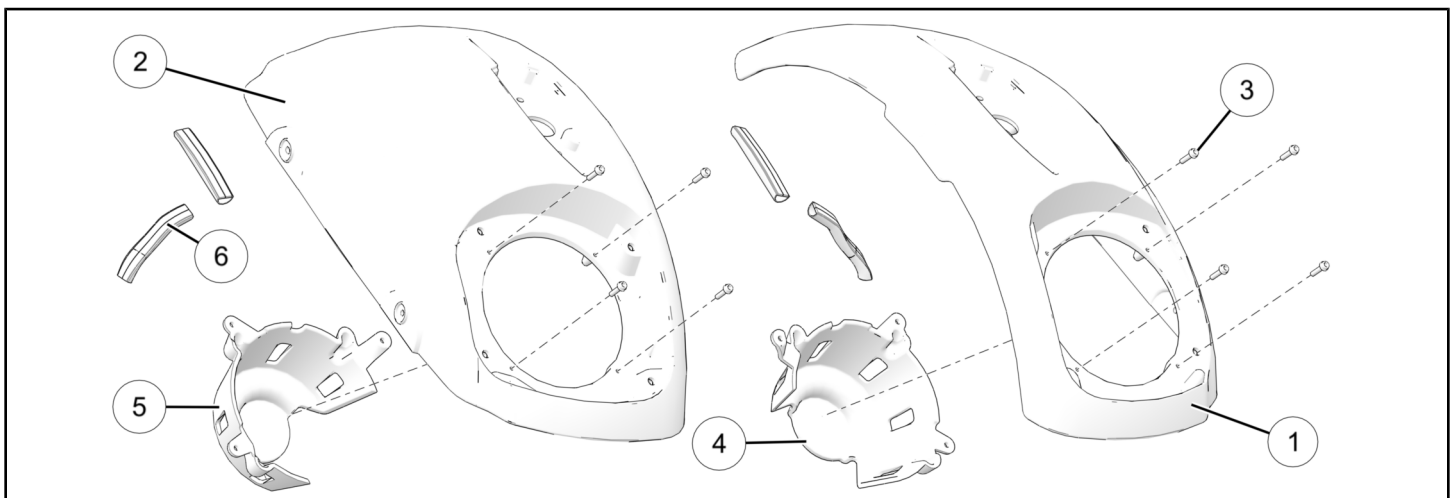
XXX = [BRAND]® color code (For example: 266 = Black)

KIT 2883666 (INDIAN® CHIEFTAIN®)



REF	QTY	PART DESCRIPTION	P/N AVAILABLE SEPARATELY
1	1	Assembly, Lid, Saddlebag Audio, LH	5455948-XXX
2	1	Assembly, Lid, Saddlebag Audio, RH	5455949-XXX
3	8	Screw, Pan Head Socket Washer, #8 X 25	7521015
4	2	Seal, Saddlebag Lid	-
	1	Instructions	9928789

KIT 2883670 (INDIAN® CHEIFTAIN® CLASSIC AND INDIAN® ROADMASTER®)

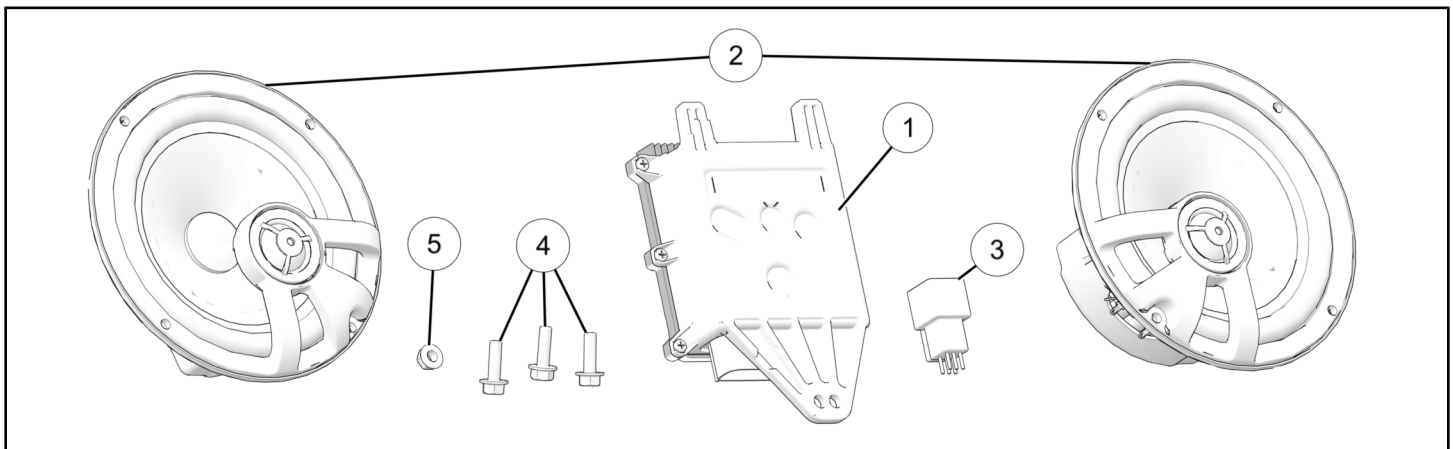


REF	QTY	PART DESCRIPTION	P/N AVAILABLE SEPARATELY
1	1	Lid, Saddlebag Audio, LH	5455393-XXX
2	1	Lid, Saddlebag Audio, RH	5455394-XXX
3	8	Screw, Pan Head Socket Washer, #8 X 19	7520960
4	1	Cover, Speaker, Saddlebag, LH	5455399
5	1	Cover, Speaker, Saddlebag, RH	5455400
6	4	Cover, Wire, Saddlebag, Short	5522256
	1	Instructions	9928789

REQUIRED SOLD SEPARATELY

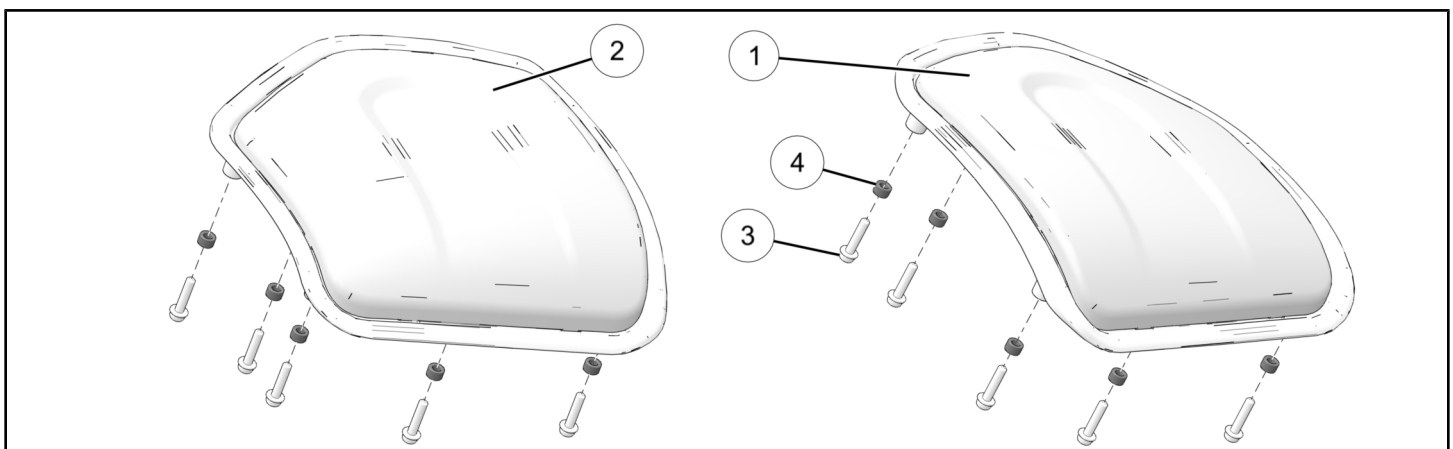
Kit Name and Number	Chieftain®	Chieftain® Classic	Roadmaster®
6.5 Inch Speaker and Amplifier Kit PN: 2883922	X	X	X
Speaker Grill Kit PN: 2883665	X		
Audio Harness Kit PN: 2883924	X		
Speaker Grill Kit PN: 2883669		X	X
Audio Harness Kit PN: 2883923		X	X

6.5 INCH SPEAKER AND AMPLIFIER KIT 2883922



REF	QTY	PART DESCRIPTION	P/N AVAILABLE SEPARATELY
1	1	Module, Power Supply, 4 Channel	4017736
2	2	Speaker, 6.5 Inch	4017741
3	1	Assembly, 6-Pin Connector Cap	4018421
4	3	Crew, Hex Flange Head, M6 X 1.0 X 20	7518141
5	1	Nut, Hex Flange Head, M6 X 1.0 X 10	7710495

SPEAKER GRILL KIT 2883665 (CHIEFTAIN®)

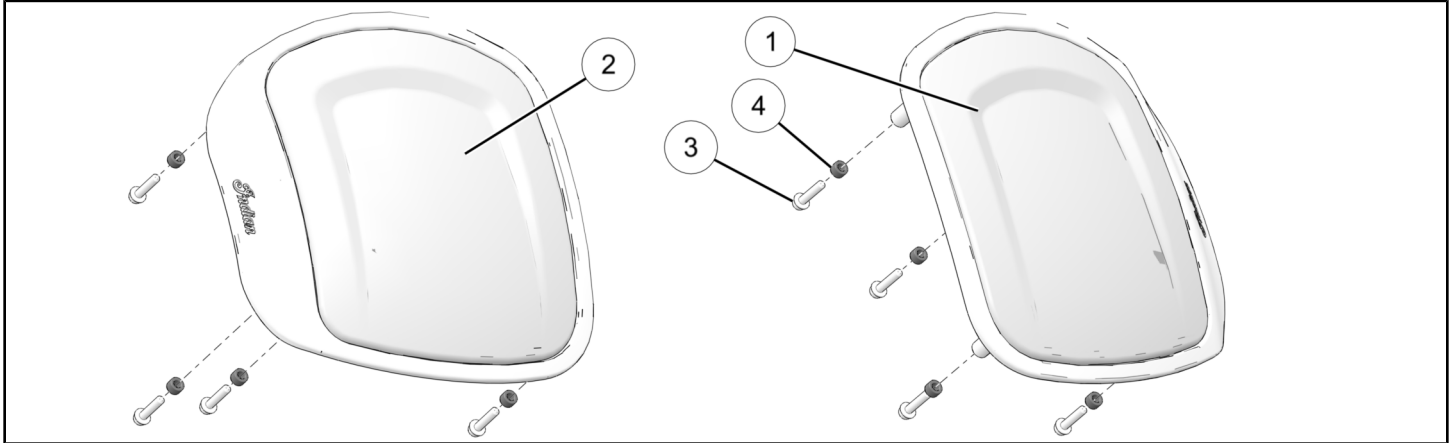


REF	QTY	PART DESCRIPTION	P/N AVAILABLE SEPARATELY
1	1	Assembly, Speaker Grill, LH	2637215-XXX
2	1	Assembly, Speaker Grill, RH	2637216-XXX
3	10	Screw, Pan Head Socket Washer, #8 X 19	7520960
4	10	Washer, Rubber	7557148

AUDIO HARNESS KIT 2883924 (CHIEFTAIN®)

REF	QTY	PART DESCRIPTION	P/N AVAILABLE SEPARATELY
1	1	Harness, Under Seat Audio	2414437
2	1	Harness, LH Saddlebag	2414773
3	1	Harness, RH Saddlebag	2414790

SPEAKER GRILL KIT 2883669 (CHIEFTAIN® CLASSIC AND ROADMASTER®)



REF	QTY	PART DESCRIPTION	P/N AVAILABLE SEPARATELY
1	1	Assembly, Speaker Grill, LH	2637468-XXX
2	1	Assembly, Speaker Grill, RH	2637469-XXX
3	8	Screw, Pan Head Socket Washer, #8 X 19	7520960
4	8	Washer, Rubber	7557148

AUDIO HARNESS KIT 2883923 (CHIEFTAIN® CLASSIC AND ROADMASTER®)

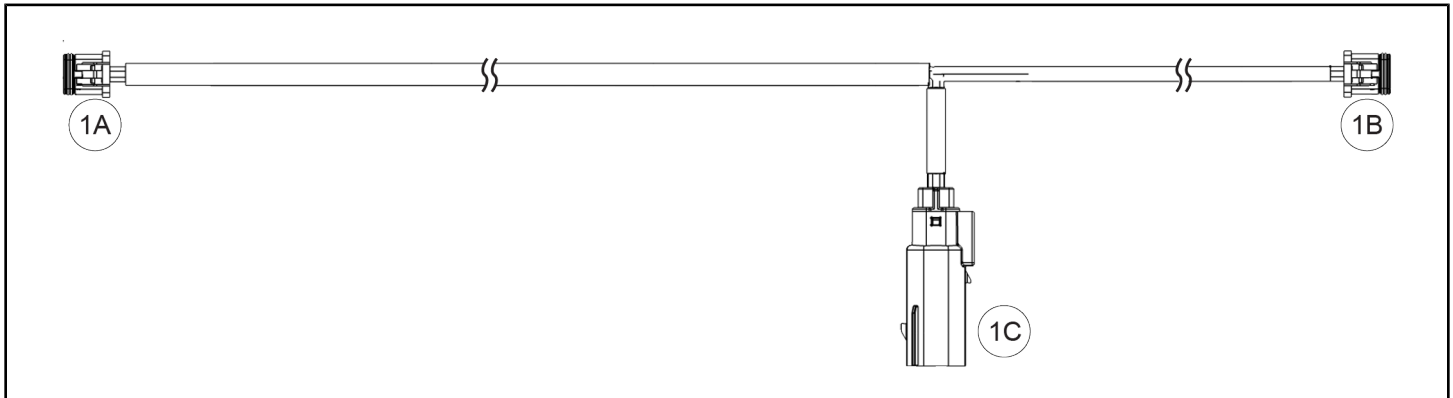
REF	QTY	PART DESCRIPTION	P/N AVAILABLE SEPARATELY
1	1	Harness, Under Seat Audio	2414437
2	1	Harness, LH Saddlebag	2414640
3	1	Harness, RH Saddlebag	2414639
4	4	Cable Tie (Not Shown)	7080138

NOTE

XXX = [BRAND]® color code (For example: 266 = Black)

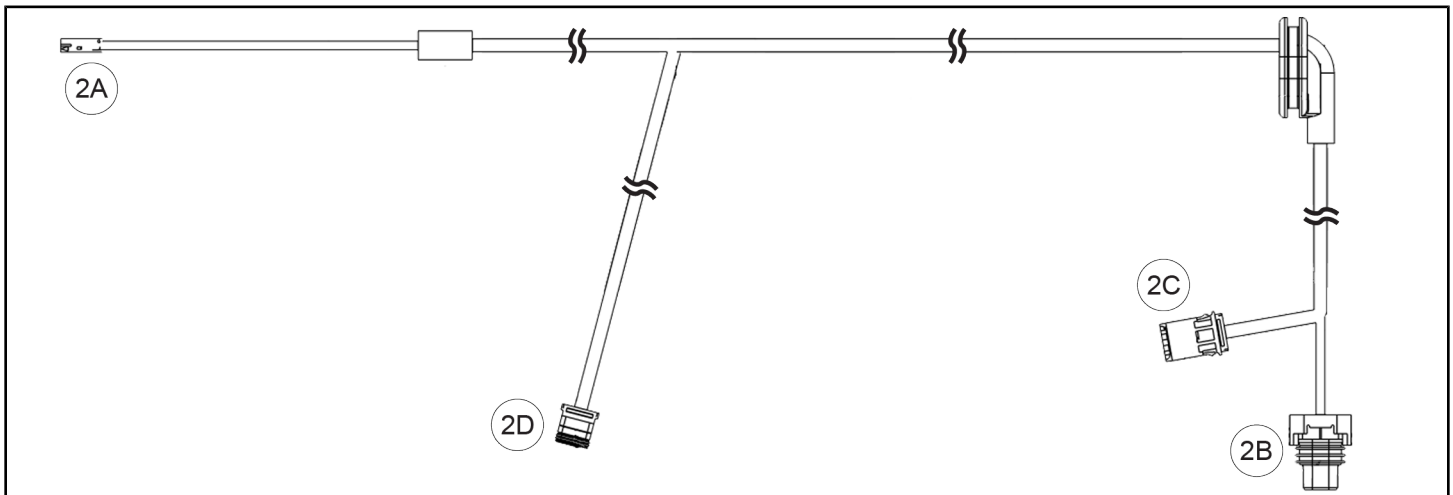
HARNESS DETAIL

UNDER SEAT HARNESS ① (PN 2414437) (ALL BIKES)



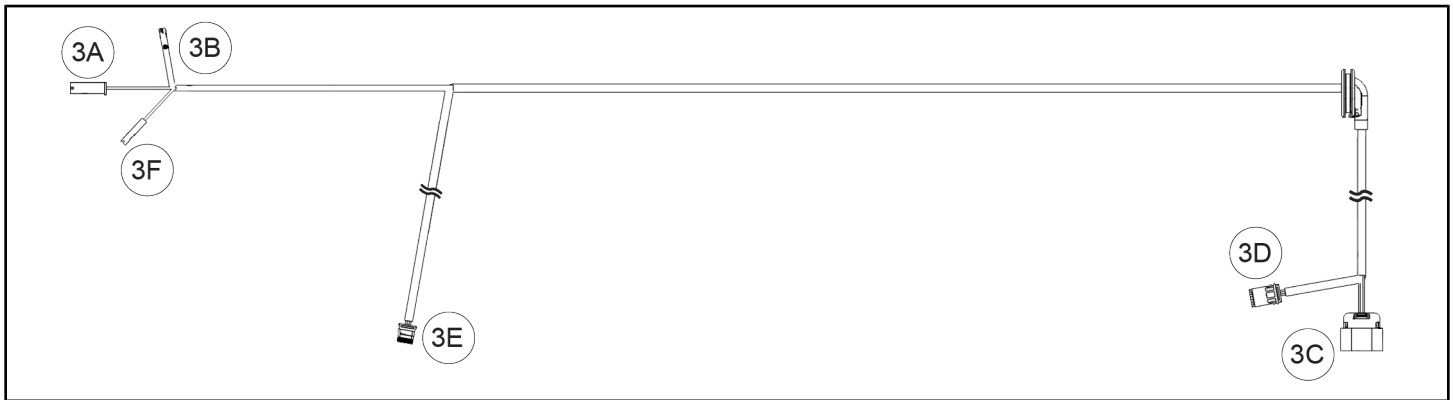
REF	PART DESCRIPTION	PIN QTY/ GENDER	CONNECTS TO
1A	RH Saddlebag Audio Connector (Long Wire Lead)	4 Female	RH Saddlebag Harness Connector 3D
1B	LH Saddlebag Audio Connector (Short Wire Lead)	4 Female	LH Saddlebag Harness Connector 2C
1C	Chassis Audio Connector	6 Male	Chassis Connector

LH SADDLEBAG HARNESS ② (PN 2414773) (CHIEFTAIN®)



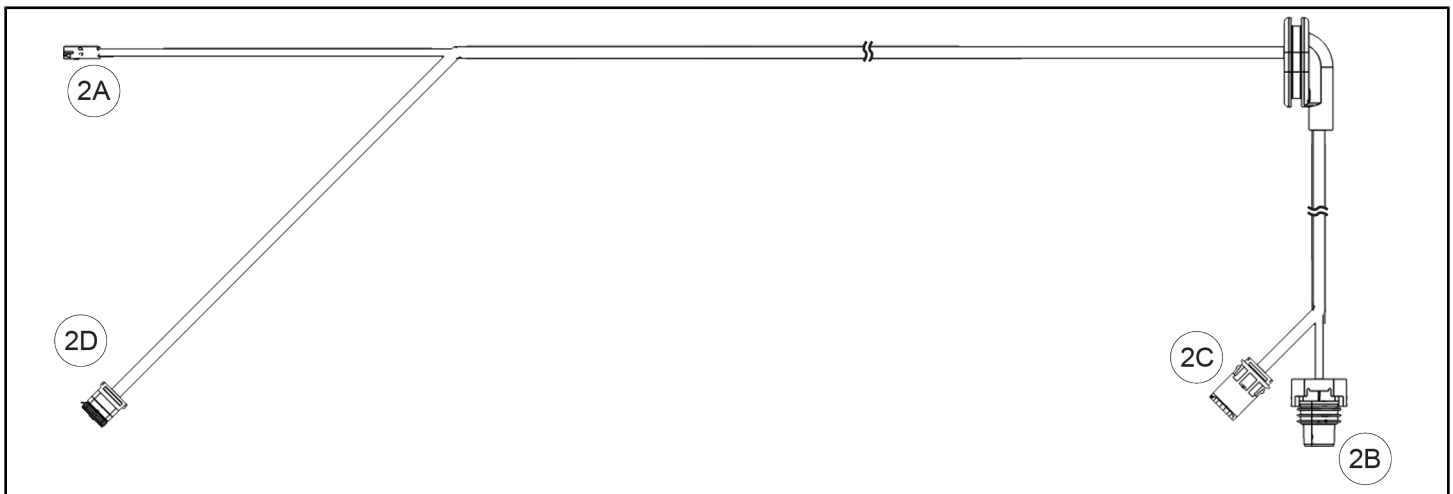
REF	PART DESCRIPTION	PIN QTY/ GENDER	CONNECTS TO
2A	LH Saddlebag Lock Connector	2 Female	LH Saddlebag Lid Lock
2B	LH Chassis Connector	2 Female	Chassis Harness
2C	LH Underseat Harness Connector	4 Male	Underseat Harness Connector 1B
2D	LH Saddlebag Speaker Connector	4 Female	LH Saddlebag Speaker

RH SADDLEBAG HARNESS ③ (PN 2414790) (CHIEFTAIN®)



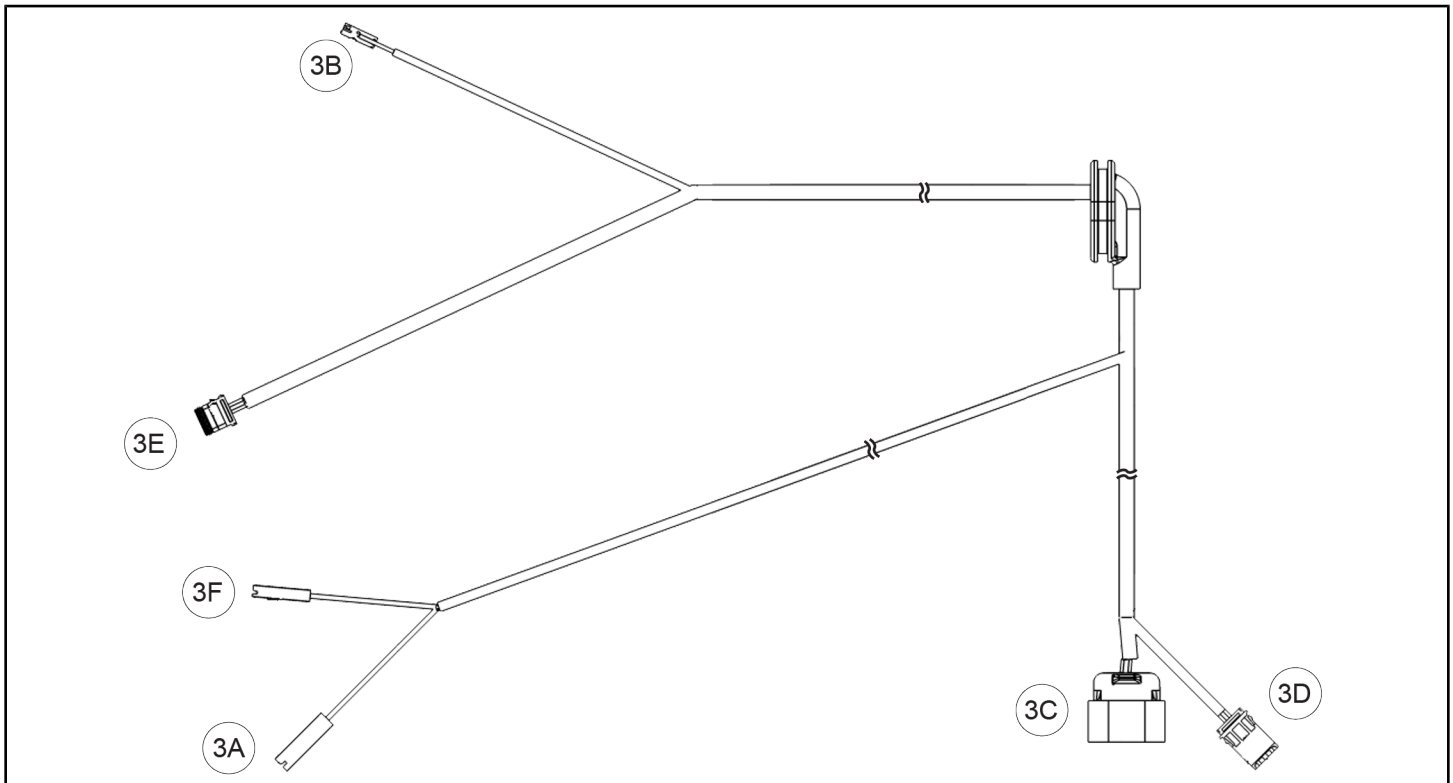
REF	PART DESCRIPTION	WIRE COLOR	PIN QTY/ GENDER	CONNECTS TO
3A	RH Saddlebag Power Port Negative (-) Connector	Black	1 Female	Power Port Negative (-) Terminal
3B	RH Saddlebag Lid Lock Connector	-	2/Female	RH Saddlebag Lid Lock
3C	Chassis Harness Connector	-	4/ Female	Chassis Harness
3D	RH Chassis Audio Harness Connector	-	4/Male	Underseat Harness Connector 1A
3E	RH Saddlebag Speaker Connector	-	4 Female	RH Speaker
3F	RH Saddlebag Power Port Positive (+) Connector	Black/Red	1 Female	Power Port Positive (+) Terminal

LH SADDLEBAG HARNESS ② (PN 2414640) (CHIEFTAIN® CLASSIC AND ROADMASTER®)



REF	PART DESCRIPTION	WIRE COLOR	PIN QTY/ GENDER	CONNECTS TO
2A	LH Saddlebag Lock Connector		2 Female	Saddlebag Lid Lock
2B	LH Chassis Connector		2 Female	Chassis Harness
2C	LH Underseat Harness Connector		4 Male	Underseat Harness Connector 1B
2D	LH Saddlebag Speaker Connector		4 Female	LH Saddlebag Speaker

RH SADDLEBAG HARNESS ③ (PN 2414639) (CHIEFTAIN® CLASSIC AND ROADMASTER®)



REF	PART DESCRIPTION	WIRE COLOR	PIN QTY/ GENDER	CONNECTS TO
3A	RH Saddlebag Power Port Negative (-) Connector	Black	1 Female	Power Port Negative (-) Terminal
3B	RH Saddlebag Lid Lock Connector	-	2/Female	RH Saddlebag Lid Lock
3C	Chassis Harness Connector	-	4/ Female	Chassis Harness
3D	RH Chassis Audio Harness Connector	-	4/Male	Underseat Harness Connector 1A
3E	RH Saddlebag Speaker Connector	-	4 Female	RH Speaker
3F	RH Saddlebag Power Port Positive (+) Connector	Black/Red	1 Female	Power Port Positive (+) Terminal

TOOLS REQUIRED

- Safety Glasses
- Pliers, Side Cutting
- Screwdriver Set, Torx®
- Socket Set, Hex Bit, Metric
- Socket Set, Metric
- Socket Set, Torx® Bit
- Torque Wrench
- Wrench Set, Metric

CONSUMABLES REQUIRED

- Room Temperature Vulcanizing (RTV) Silicone

IMPORTANT

Your Indian 6.5 Inch Powerband™ Audio Kit is exclusively designed for your vehicle. Please read the installation instructions thoroughly before beginning. Installation is easier if the vehicle is clean and free of debris. For your safety, and to ensure a satisfactory installation, perform all installation steps correctly in the sequence shown.

INSTALLATION INSTRUCTIONS

VEHICLE PREPARATION

GENERAL

1. Turn key or ignition switch to “OFF” position and remove key. If equipped with keyless fob, remove fob from proximity of vehicle.
2. Ensure motorcycle is parked on a flat surface, kickstand is fully extended, and vehicle is stable prior to installation.
3. Remove seat and side covers as per owner’s manual.
4. If equipped, remove and set aside trunk.

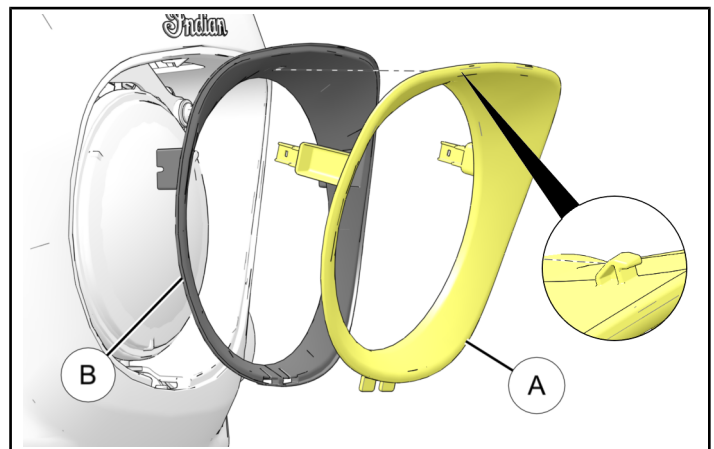
POWER SUPPLY MODULE INSTALLATION

REMOVE HEADLIGHT ASSEMBLY

1. Follow corresponding step for your motorcycle.

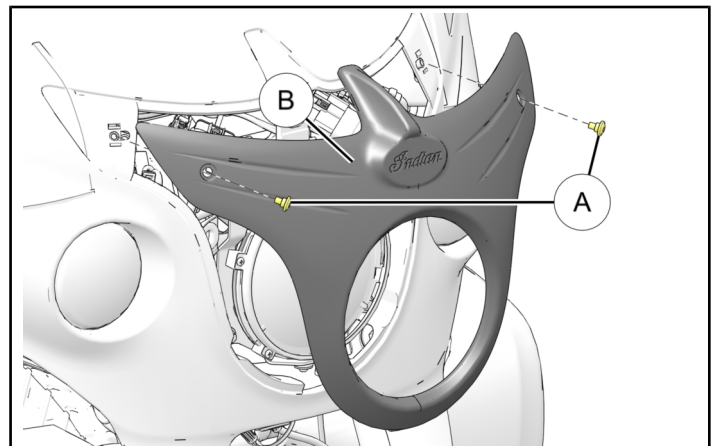
- **Chieftain®**

- Using a small non-marring tool, pry down on headlight trim (A) to release tab, pull headlight trim (A) and rubber surround (B) from fairing and carefully set aside.

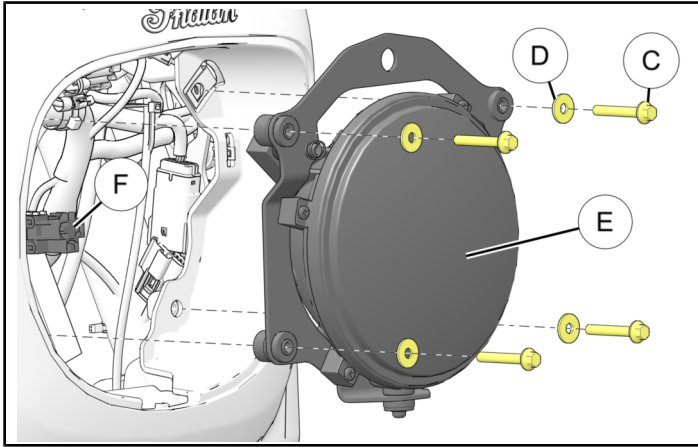


- **Chieftain® Classic**

- Remove and retain two screws (A) and carefully pull trim piece (B) from fairing.

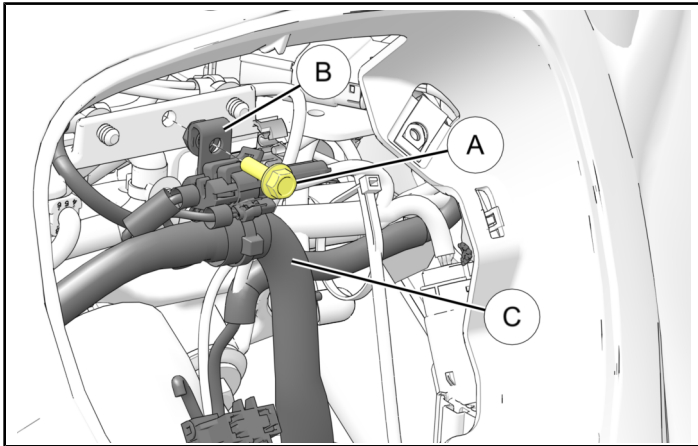


- Remove and retain four screws (C) and washers (D) from headlight assembly frame (E) and remove headlight assembly. Disconnect headlight connector (F) from headlight. Carefully set assembly aside.

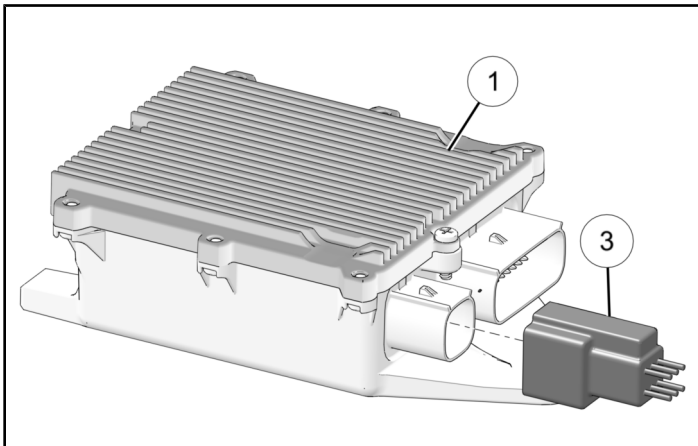


INSTALL POWER SUPPLY MODULE

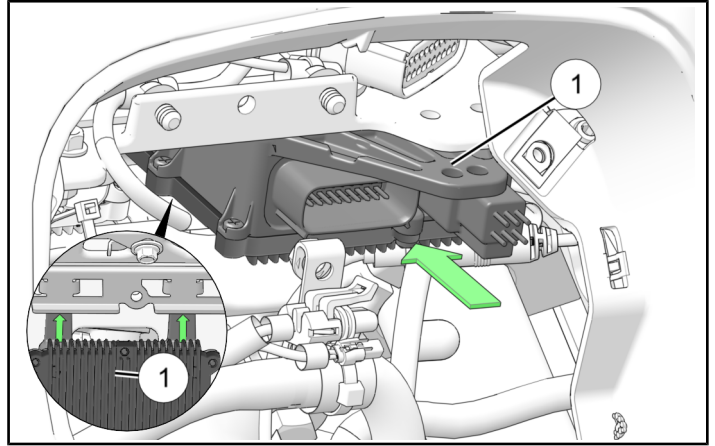
- Remove and discard bolt (A). Pull bracket (B) and harness (C) away to access amplifier mount.



- Connect 6-Pin Connector Cap (3) to plug on Power Supply Module (1).



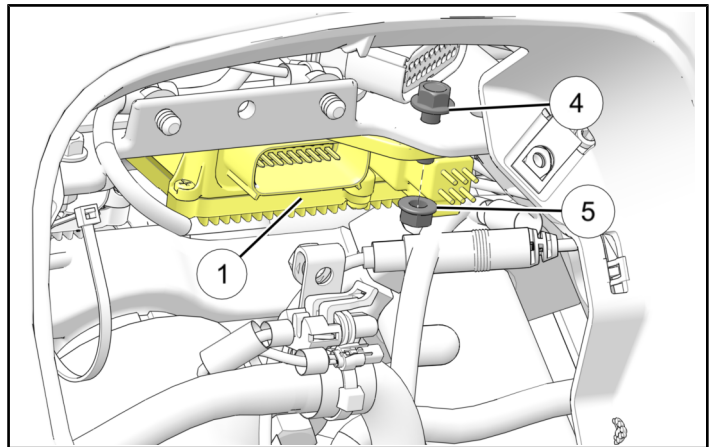
- Install Power Supply Module (1) into fairing bracket. Ensure two tabs slide into bracket as shown.



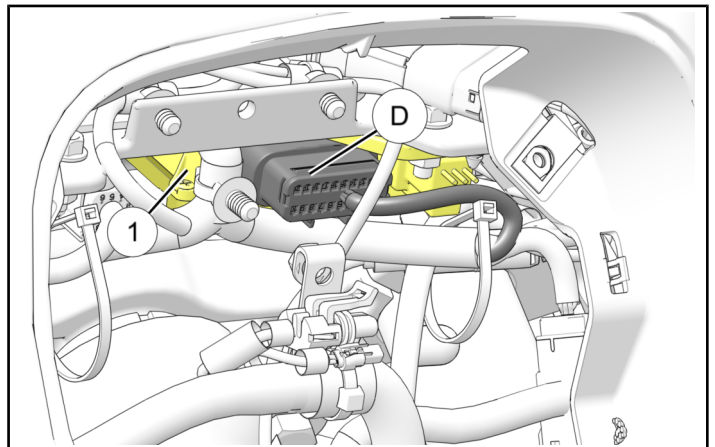
- Secure Power Supply Module (1) with new bolt (4) and nut (5). Torque to specification.

TORQUE

36 in. lbs. (4 Nm)



- Locate connector for Power Supply Module (1) and plug connector into module, press on connector until an audible "click" is heard. Gently pull on connector to ensure connector is fully seated.



- Reinstall bracket (B) and harness (C) with new bolt (4). Torque bolt to specification.

TORQUE

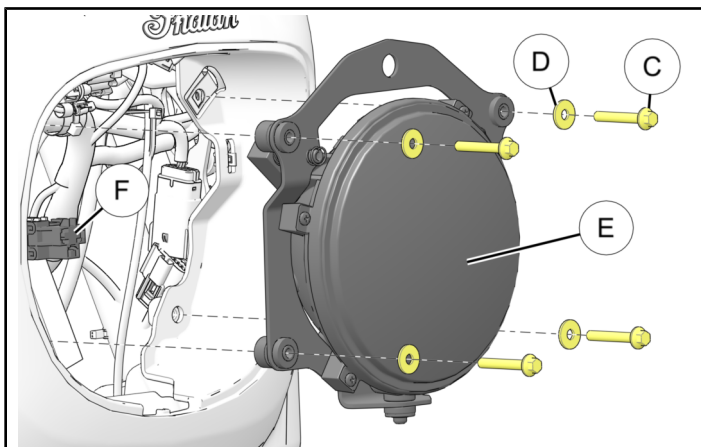
36 in. lbs. (4 Nm)

INSTALL HEADLIGHT ASSEMBLY

- Plug headlight connector (F) into headlight and install headlight into place. Secure headlight assembly frame (E) with four retained screws (C) and washers (D). Torque screws to specification.

TORQUE

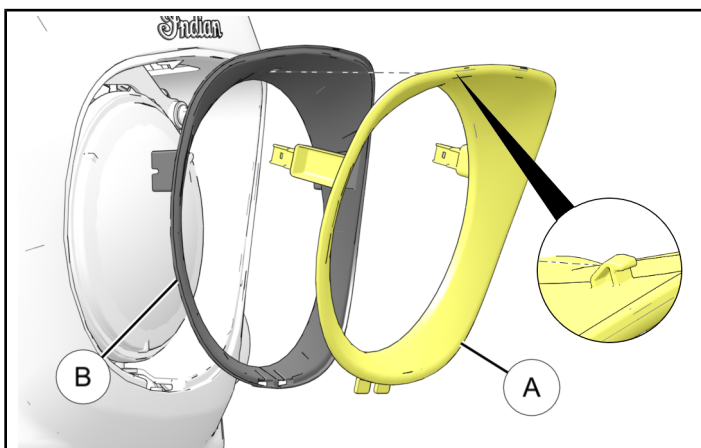
75 in. lbs. (8.5 Nm)



- Follow corresponding step for your motorcycle.

• Chieftain®

- Install rubber surround (B) and headlight trim (A) into fairing and carefully press into place.

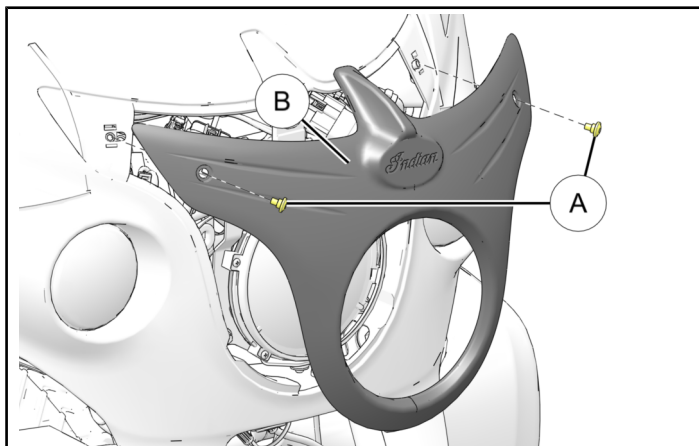


• Chieftain® Classic

- Install trim piece (B) into fairing and secure with two retained screws (A). Torque screws to specification.

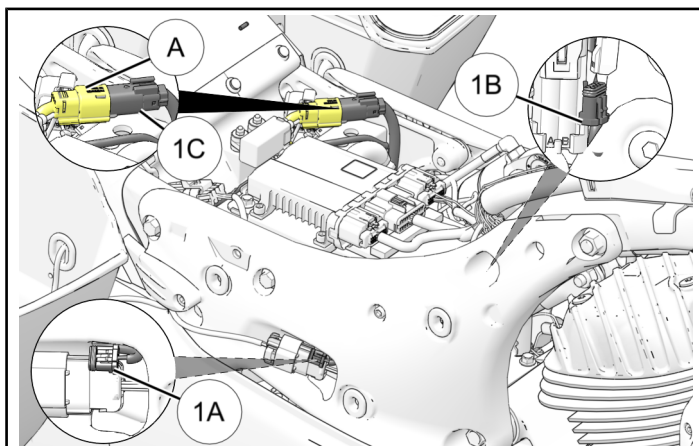
TORQUE

36 in. lbs. (4 Nm)



UNDERSEAT HARNESS INSTALLATION

- Locate empty Chassis Connector (A) and plug in underseat harness (1) Chassis Audio Connector 1C. Guide RH Saddlebag Audio Connector 1A to opening on RH side of frame and guide LH Saddlebag Audio Connector 1B to opening on LH side of frame as shown.



SADDLEBAG LID INSTALLATION

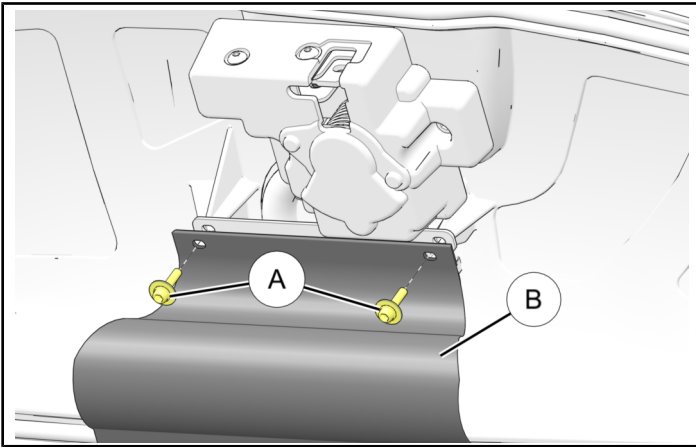
Follow the procedure that applies to your motorcycle.

CHIEFTAIN® SADDLEBAG LID INSTALLATION

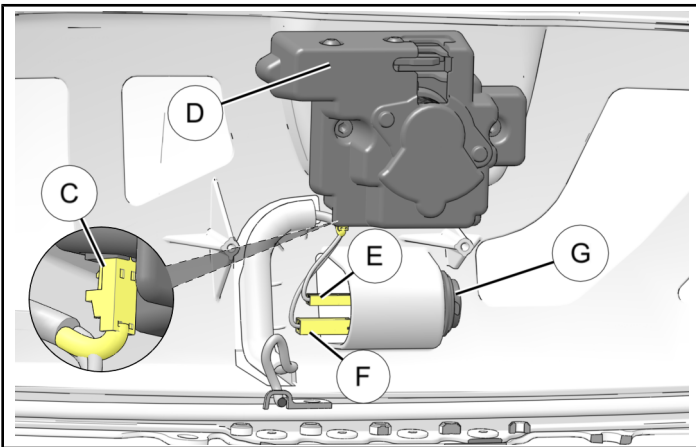
CHIEFTAIN® STOCK LID REMOVAL

These steps apply to both Left and Right Saddlebag lids except as noted.

1. Open saddlebag lid. Remove and retain two screws (A) from wide lid strap (B).



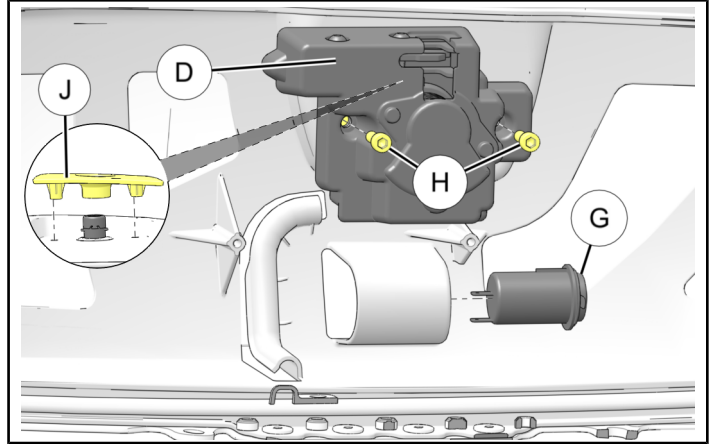
2. Unplug electrical connector (C) from lock assembly (D). Unplug electrical terminals (E) and (F) from 12V outlet (G) (12V outlet in RH Saddlebag only).



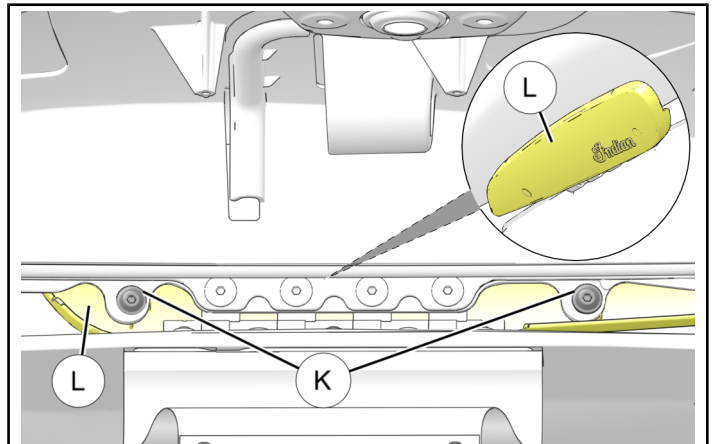
3. Remove and retain two screws (H) and remove lock assembly (D) and handle (J) from lid. Remove 12V outlet (G) from lid. (12V outlet in RH Saddlebag only.)

TIP

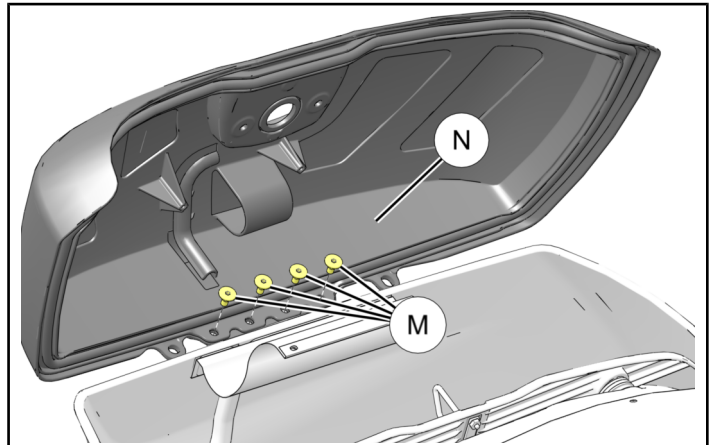
Use a flat tipped screwdriver or other similar hand tool to help remove 12V outlet.



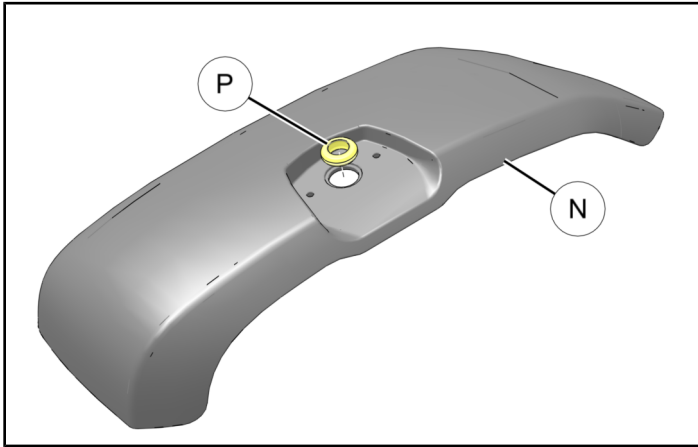
4. Remove and retain two screws (K) and remove hinge cover (L). Carefully set aside cover.



5. Remove and retain four hinge screws (E) and remove Saddlebag Lid (F). Carefully set lid on a soft cloth to prevent scratching painted surface.



- Carefully remove and retain lock cylinder grommet (P) from stock Saddlebag lid (N).

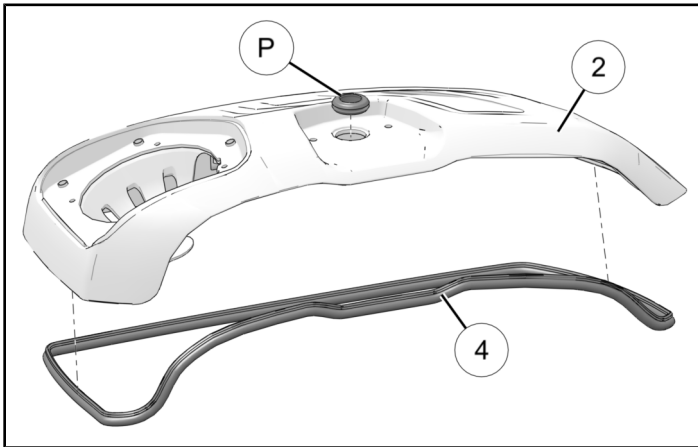


- Repeat this section for opposite side saddlebag lid.

CHIEFTAIN® NEW SADDLEBAG LID INSTALLATION

These steps apply to both Left and Right Saddlebag lids except as noted. Only RH lid shown.

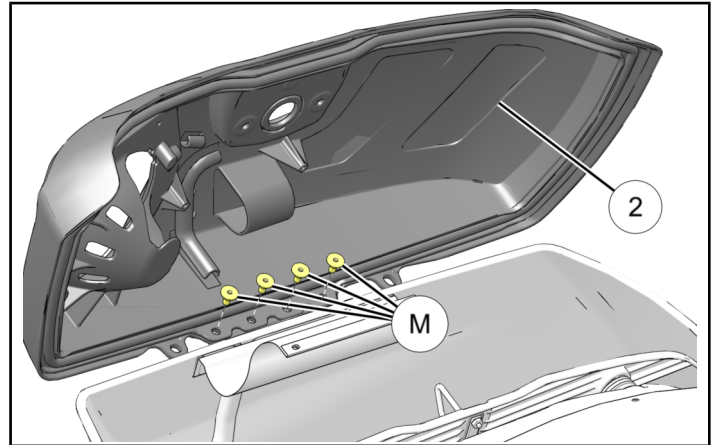
- Install retained lock cylinder grommet (P) to new saddlebag lid (1) and (2). Install Saddlebag Lid Seals (4) into groove in underside of lids.



- Hold new lid (2) vertically and install to saddlebag hinge using four retained screws (M). Torque screws to specification.

TORQUE

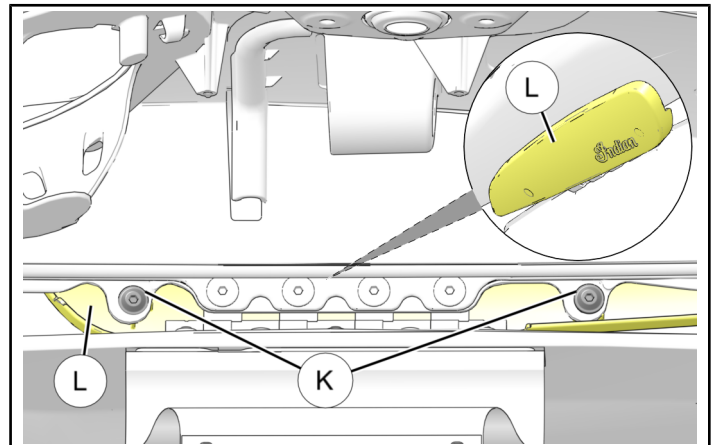
84 in. lbs. (9.5 Nm)



- Install retained hinge cover (L) using two retained screws (K). Torque screws to specification.

TORQUE

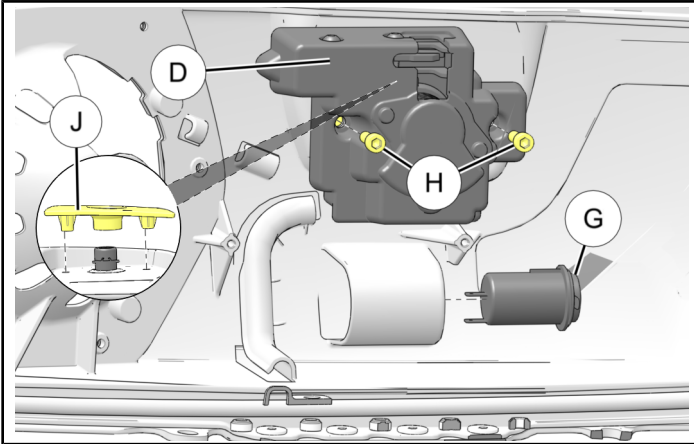
36 in. lbs. (4 Nm)



4. Install retained lock assembly **D** to new lid with two retained screws **H** and handle **J** from lid. Pressed retained 12V outlet **G** into lid. (12V outlet in RH Saddlebag only.) Torque lock assembly screws to specification.

TORQUE

65 in. lbs. (7.5 Nm)

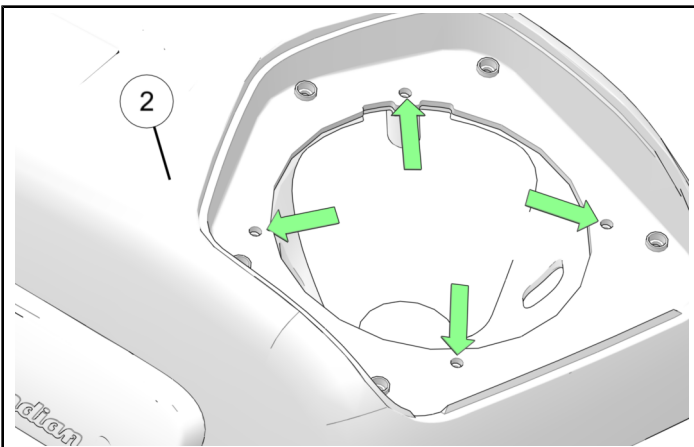


5. Repeat this section for opposite side saddlebag lid.

CHIEFTAIN® SPEAKER AND SPEAKER GRILL INSTALLATION

These steps apply to both Left and Right Saddlebag lids except as noted. Only RH lid shown.

1. Apply RTV to speaker fastener holes (shown with arrows) in saddlebag lid **2**.

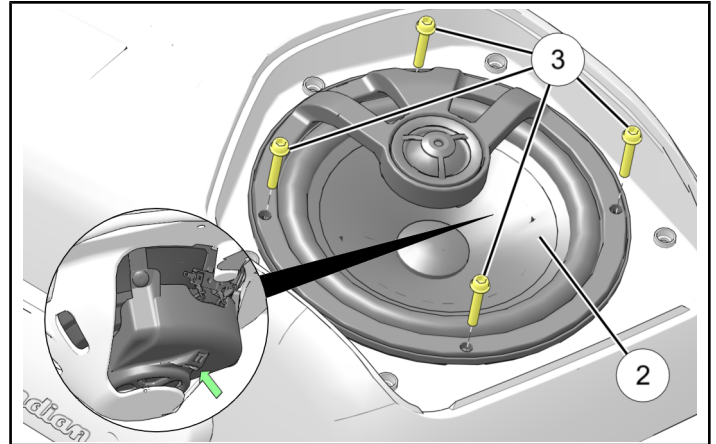


2. Wipe excess RTV from surface.

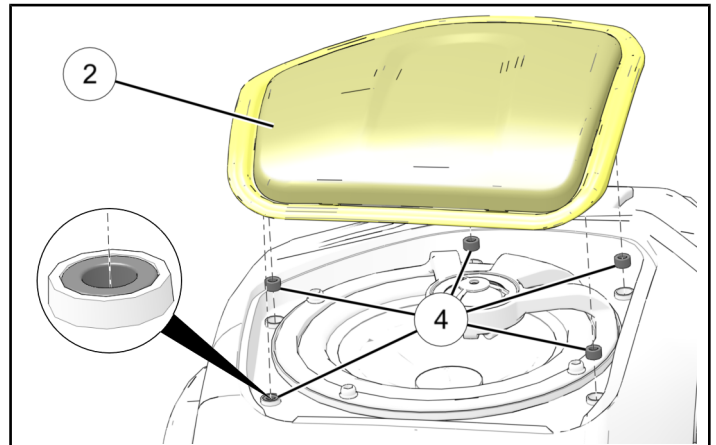
3. Insert speaker **2** (from 6.5 inch Speaker and Amplifier Kit PN 2883922) into lid opening with speaker connector in basket opening as shown with arrow. Secure speaker with four screws **3** (from Saddlebag Lid Kit PN 2883666). Torque screws to specification.

TORQUE

20 in. lbs. (2.25 Nm)



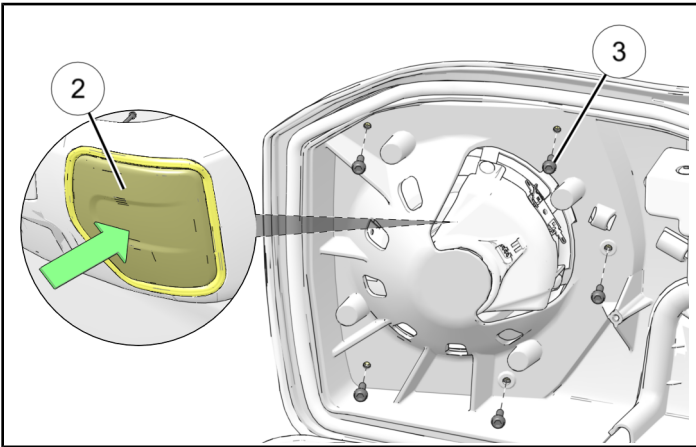
4. Clean any excess RTV from speaker.
5. Insert five rubber washers **4** (from Speaker Grill Kit PN 2883665) into openings in lid. Ensure washers are fully inserted into openings. Set and hold speaker grill **2** (from Speaker Grill Kit PN 2883665) in place with one hand and open saddlebag lid continuing to hold grill in place for next step.



6. While applying light pressure to hold grill ② in place install five screws ③ (from *Speaker Grill Kit PN 2883665*). Torque screws to specification.

TORQUE

10 in. lbs. (1 Nm)

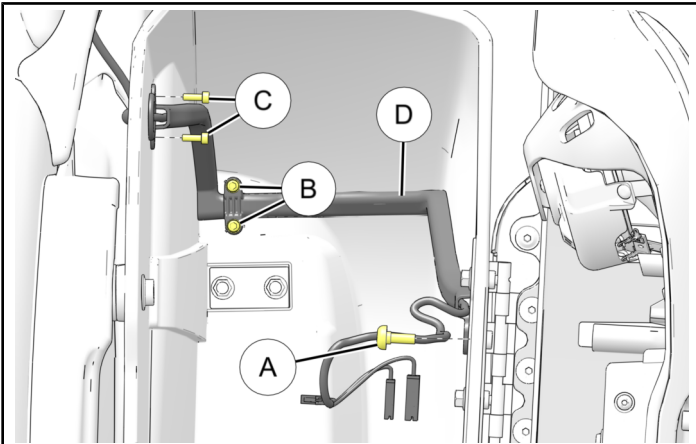


7. Repeat this section for opposite side saddlebag lid.

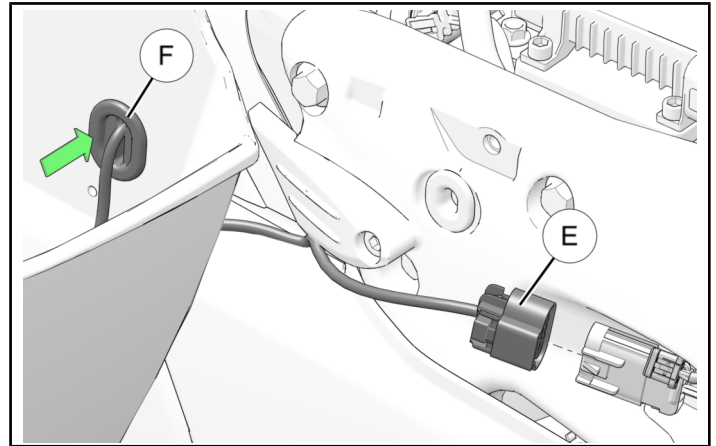
CHEIFTAIN® WIRE HARNESS INSTALLATION

STOCK WIRE HARNESS REMOVAL

1. Remove and retain one screw ①, two screws ②, and two screws ③. Make note of screw locations. Remove and retain wire channel ④.



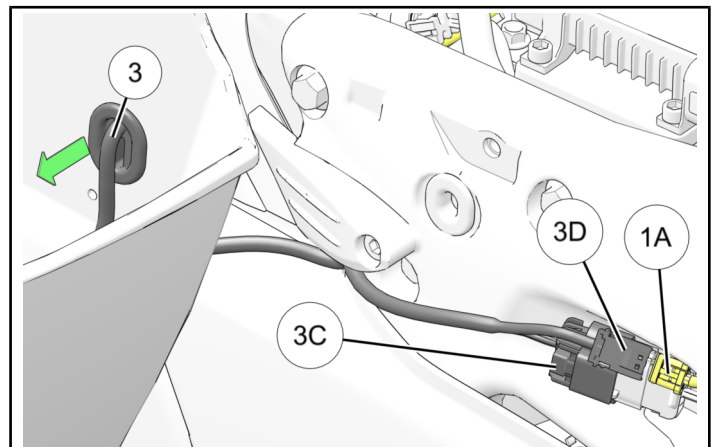
2. Disconnect stock chassis harness connector ⑤ from chassis harness. Push rubber grommet ⑥ out of saddlebag and pull stock harness from saddlebag. Discard stock harness.



3. Repeat this section for opposite side saddlebag.

NEW WIRE HARNESS INSTALLATION

1. Feed RH wire harness ③ into saddlebag bin through harness opening. Install wire harness grommet into opening. Plug RH Chassis Harness Connector 3C into Chassis Harness Connector. Plug RH Chassis Audio Harness Connector 3D into RH Saddlebag Audio Connector (Long Lead) 1A.

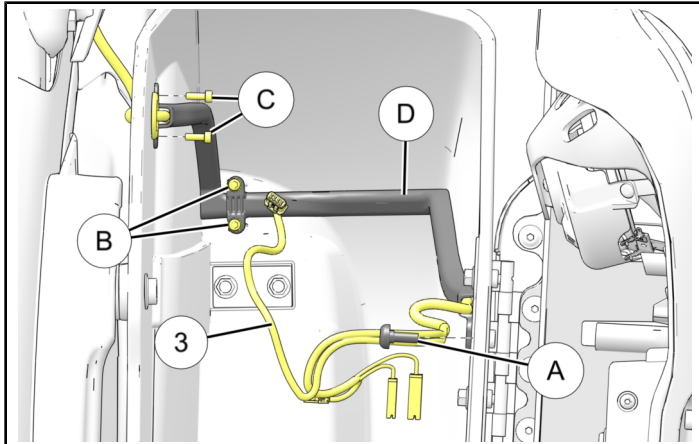


2. Repeat step one for LH wire harness ② connecting LH Chassis Connector (2B) into underseat harness ① LH Saddlebag Audio Harness Connector (1B).

3. Install new wiring harness ③ into saddlebag and install retained wire channel ④ into place. Ensure wiring is not pinched and reinstall retained screws ⑤, ⑥, and ⑦. Torque screws to specification.

TORQUE

Saddlebag wire channel screw ⑦ 36 in.lbs. (4 Nm)
 Saddlebag wire channel screw ⑥ 15 in. lbs. (1.7 Nm)
 Saddlebag wire channel screw ⑤ 15 in. lbs. (1.7 Nm)



4. Route saddlebag harness wire through built-in channel in lid (shown with arrow). Plug the following terminals in:

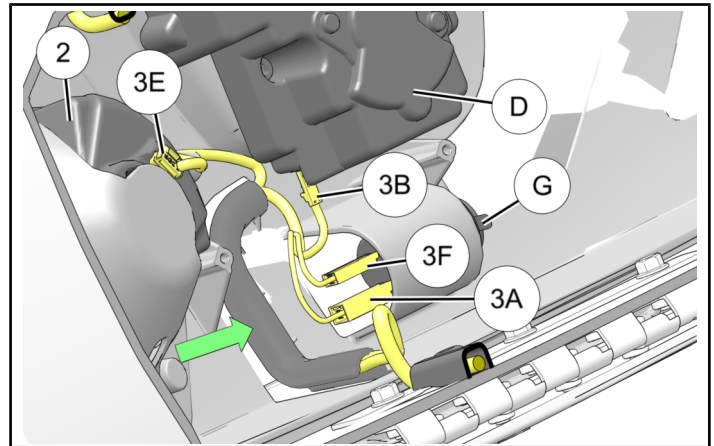
• RH Saddlebag (Shown in image)

- 3A (RH Saddlebag Power Port Negative (-) connector) into Negative (-) terminal on 12V outlet ⑥
- 3B (RH Saddlebag Lock connector) into RH Saddlebag Lid Lock ④
- 3E (RH Saddlebag Speaker connector) into RH Speaker ②
- 3F (RH Saddlebag Power Port Positive (+) connector) into Positive (+) terminal on 12V outlet ⑥

• LH Saddlebag (Not shown in image)

- 2A (LH Saddlebag Lock connector) into LH Saddlebag Lid Lock ④
- 2D (LH Saddlebag Speaker connector) into LH Speaker ②

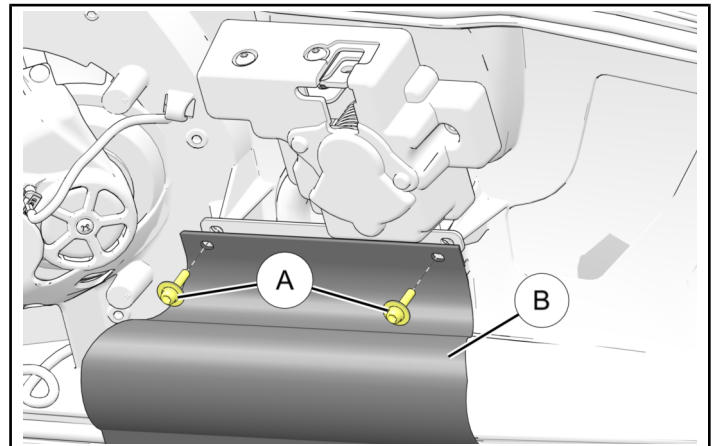
LH Saddlebag does not contain 12V Outlet. Ensure wires routed in channel stay in channel when lid is closed. Adjust if needed.



5. Resecure lid strap ⑤ with two retained fasteners ⑦ and torque to specification.

TORQUE

15 in. lbs. (1.7 Nm)



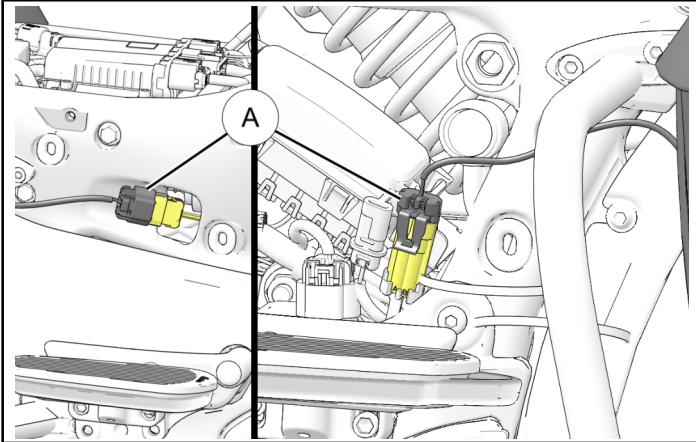
6. Repeat previous step for opposite side saddlebag lid strap.

CHIEFTAIN® CLASSIC AND ROADMASTER® SADDLEBAG LID INSTALLATION

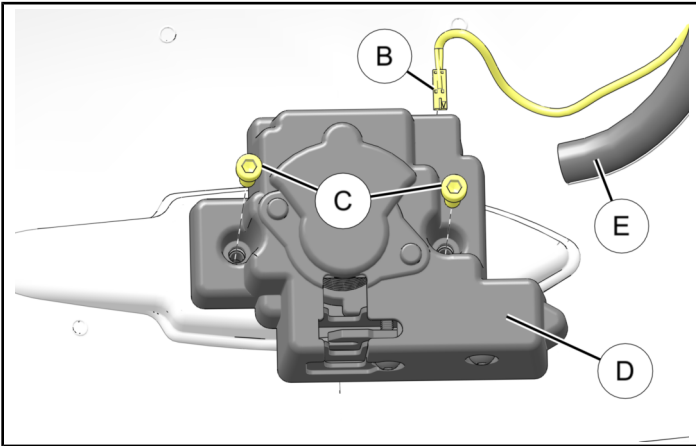
CHIEFTAIN® CLASSIC AND ROADMASTER® STOCK LID REMOVAL

These steps apply to both Left and Right Saddlebag lids except as noted.

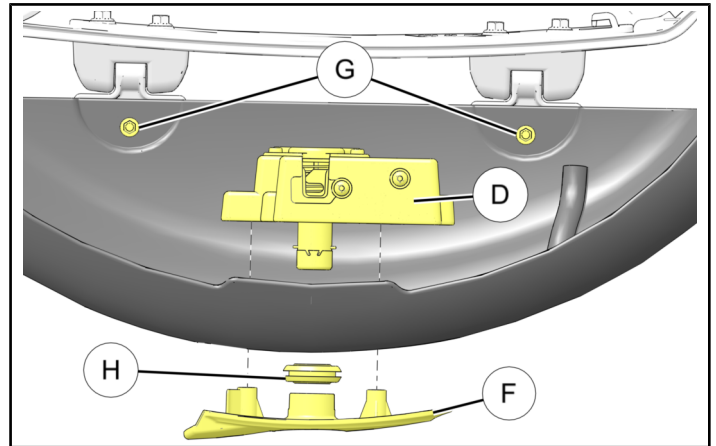
1. Disconnect one electrical connector (A) on each side for saddlebag wiring.



2. Open saddlebag lids, unplug saddlebag lock wire connector (B), remove and retain two hex head screws (C) from saddlebag lock assembly (D). Remove wiring from channel (E).

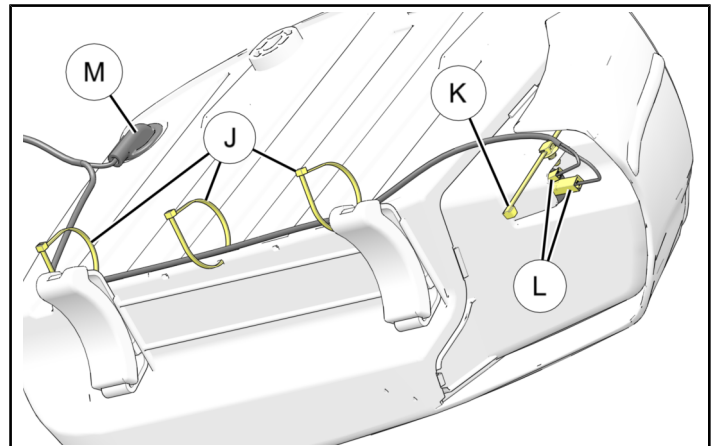


3. Remove saddlebag lock assembly (D), handle (F) and lock cylinder grommet (H), and set aside. Remove two screws (G) from lid hinges and remove lid. Repeat for second saddlebag lid.



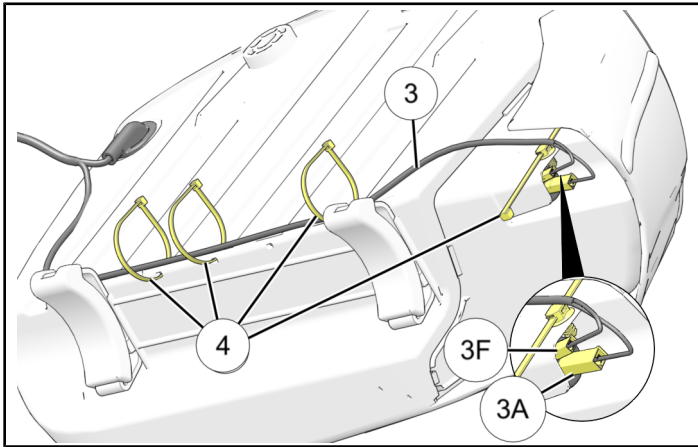
DISCONNECT 12V WIRE HARNESS (RH SADDLEBAG ONLY)

1. Remove RH Saddlebag as per owner's manual procedure.
2. Under RH saddlebag, remove three cable ties (I) and one push-pin cable tie (K) (leave push-pin installed). Unplug 12V outlet connectors (L) and remove grommet (M) from saddlebag. Remove and discard wiring.



CHIEFTAIN® CLASSIC AND ROADMASTER® RH SADDLEBAG WIRING HARNESS

1. Plug RH Saddlebag Power Port Negative (-) Connector (3A) into negative terminal and RH Saddlebag Power Port Positive (+) Connector (3F) into positive terminal of 12V outlet. Route harness wire (3) along path of stock wire and secure with new cable ties (4). Reuse push pin from cable tie near 12V outlet. Insert wiring harness into saddlebag and seat grommet into opening.



2. Reinstall RH saddlebag onto bike as per owner's manual.

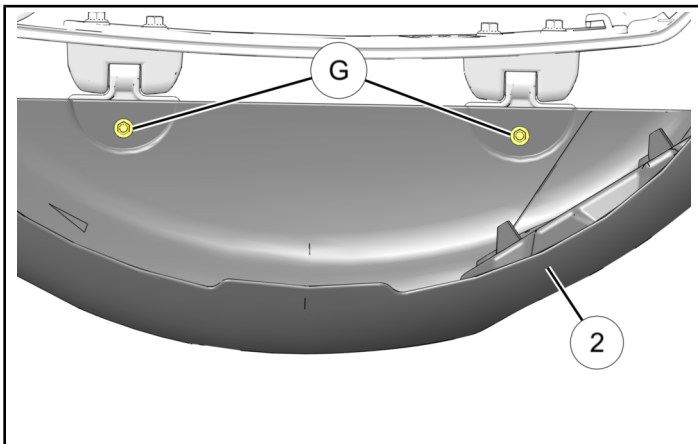
CHIEFTAIN® CLASSIC AND ROADMASTER® SADDLEBAG LID AND LOCK INSTALLATION

These steps apply to both Left and Right Saddlebag lids except as noted. Only RH lid shown.

1. Install new saddlebag lid (2) onto saddlebag using two retained screws (G). Torque screws to specification.

TORQUE

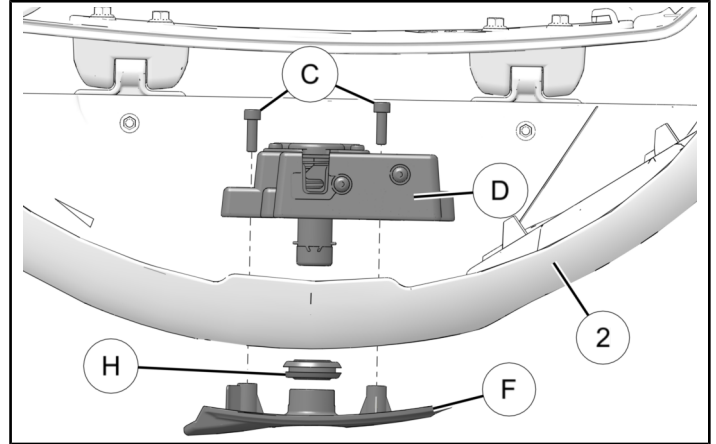
45 in. lbs. (5 Nm)



2. Install retained lock cylinder grommet (H) to new saddlebag lid (2). Install retained lock assembly and handle using two retained screws (C). Torque screws to specification.

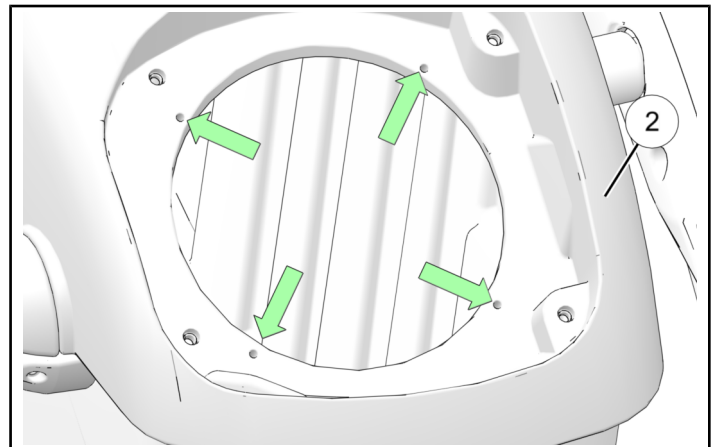
TORQUE

65 in. lbs. (7.3 Nm)



CHIEFTAIN® CLASSIC AND ROADMASTER® SPEAKER AND SPEAKER GRILL INSTALLATION

1. Apply RTV to speaker fastener holes (shown with arrows) in saddlebag lid (2).

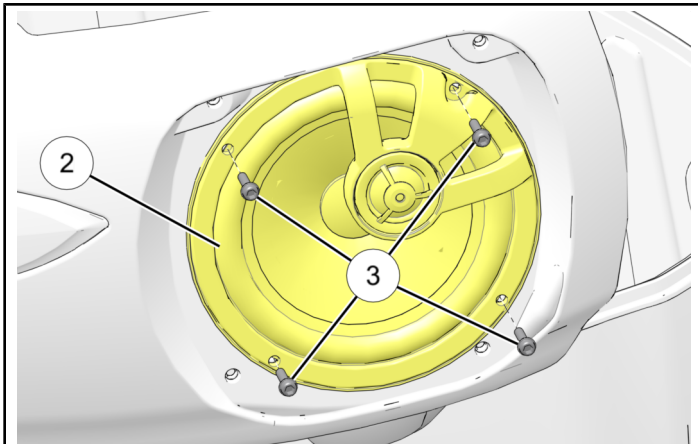


2. Wipe excess RTV from surface.

3. Insert speaker ② (from 6.5 inch Speaker and Amplifier Kit PN 2883922) into lid opening with speaker connector in basket opening as shown with arrow. Secure speaker with four screws ③ (from Saddlebag Lid Kit PN 2883670). Torque screws to specification.

TORQUE

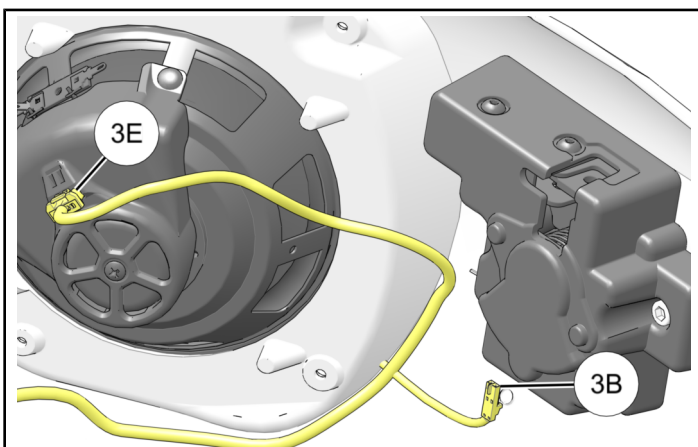
20 in. lbs. (2.25 Nm)



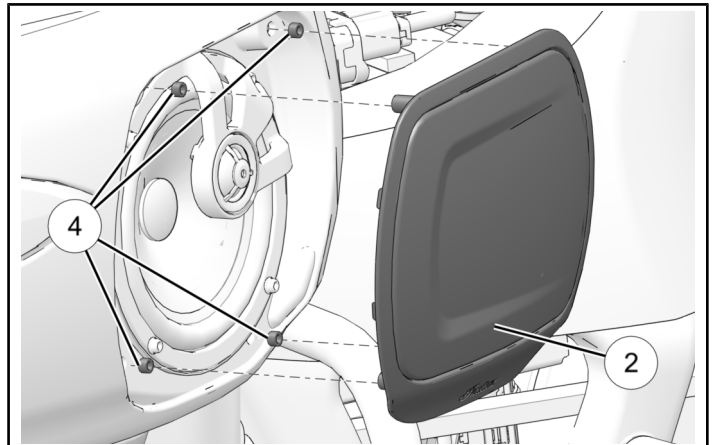
4. Clean any excess RTV from speaker.

5. Plug the follow terminals in:

- **RH Saddlebag (Shown in image)**
 - (3B) RH Saddlebag Lid Lock Connector into lid lock assembly.
 - (3E) RH Saddlebag Speaker Connector into speaker.
- **LH Saddlebag (Not shown in image)**
 - (2A) LH Saddlebag Lid Lock Connector into lid lock assembly.
 - (2D) LH Saddlebag Speaker Connector into speaker.



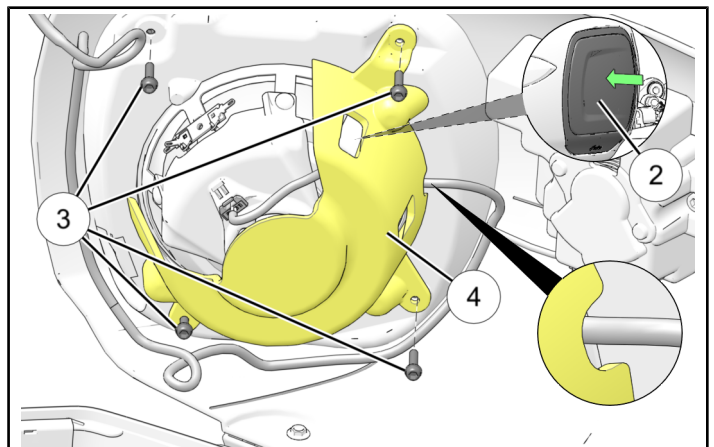
6. Insert four rubber washers ④ (from Speaker Grill Kit PN 2883669) into openings in lid. Ensure washers are fully inserted into openings. Set and hold speaker grill ② (from Speaker Grill Kit PN 2883669) in place with one hand and open saddlebag lid continuing to hold grill in place for next step.



7. While applying light pressure to hold grill ② in place, install speaker cover ④ (from Kit PN 2883670-XXX) and four screws ③ (from Speaker Grill Kit PN 2883669). Ensure wiring harness is routed through opening in cover as shown. Torque screws to specification.

TORQUE

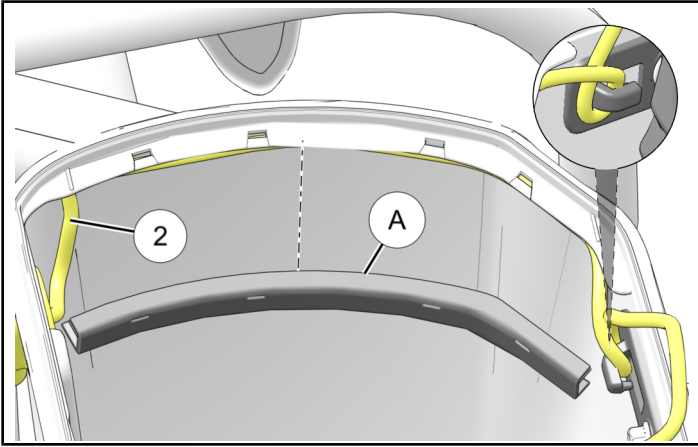
20 in. lbs. (2.25 Nm)



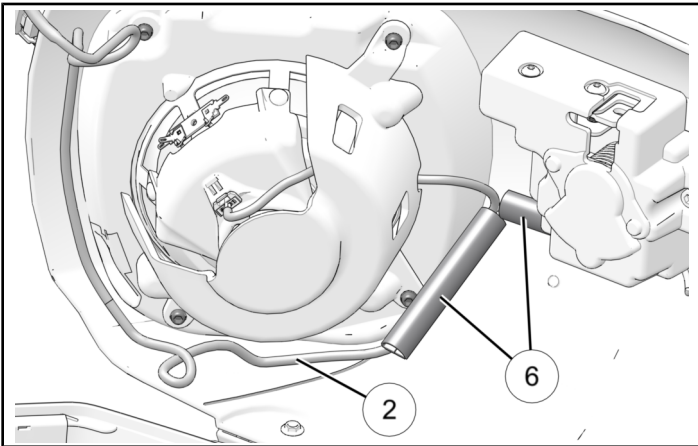
8. Repeat this section for opposite side saddlebag lid.

CHIEFTAIN® CLASSIC AND ROADMASTER® WIRE HARNESS FINAL INSTALLATION

1. Carefully remove wire channel cover (A) from front upper edge of saddlebag . Route saddlebag harness (2) through hook as shown and along channel and reinstall cover (A).



2. On underside of saddlebag lid, insert wire harness (2) into Wire Cover (5) and adhere wire cover to underside of saddlebag lid as shown.



FEEDBACK FORM

A feedback form has been created for the installer to provide any comments, questions or concerns about the installation instructions. The form is viewable on mobile devices by scanning the QR code or by clicking [HERE](#) if viewing on a PC.

FEEDBACK FORM



3. Repeat this section for opposite side saddlebag.

VEHICLE REASSEMBLY

GENERAL

1. Reinstall trunk, if equipped.
2. Reinstall side covers and seat as per owner's manual.