

40VPP AMPLIFIER KIT



P/N 2882215

APPLICATION

Indian Touring with Faring And with Saddlebag and Trunk Audio

BEFORE YOU BEGIN

Read these instructions and check to be sure all parts and tools are accounted for. Please retain these installation instructions for future reference and parts ordering information.

KIT CONTENTS

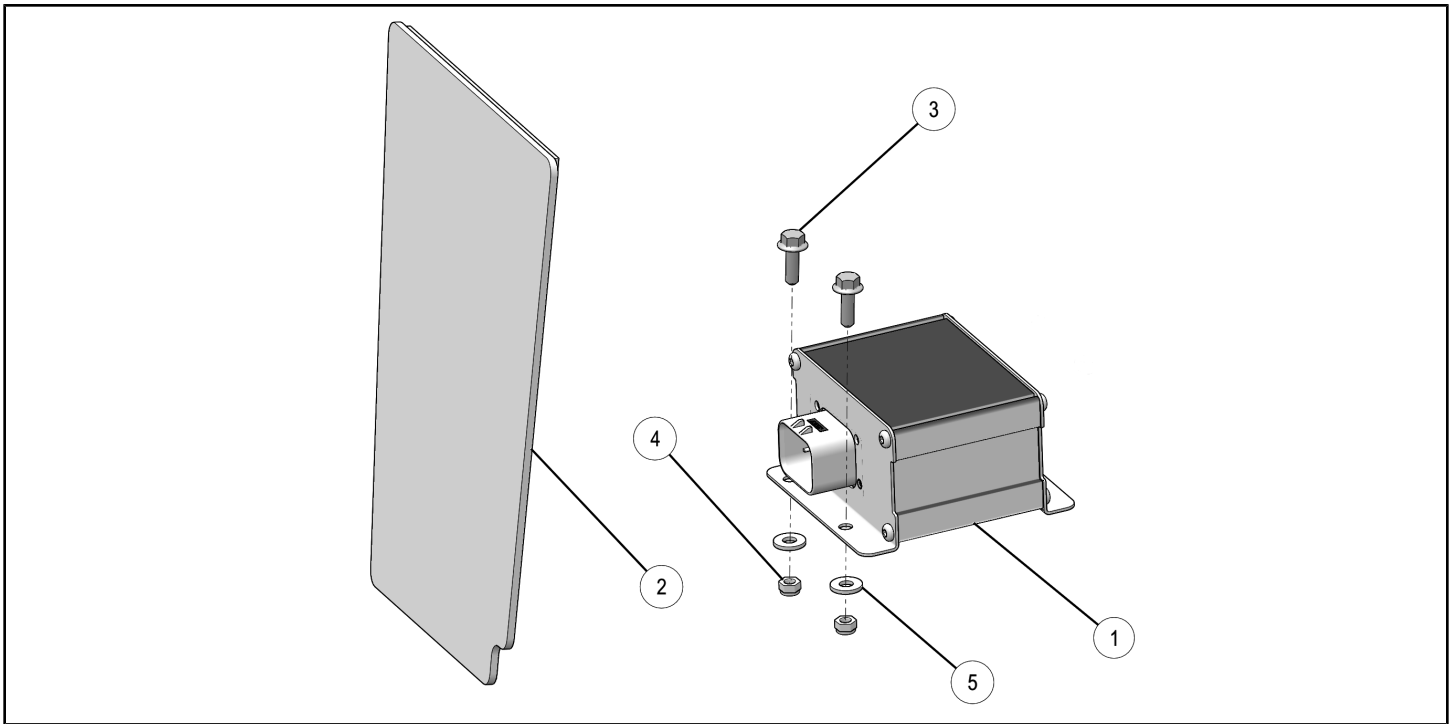
To complete this installation, the additional kits are needed:

- Kit-Trunk (2880283-XXX (in optional color))
- Kit-Lid,Audio, Saddlebag (2879656-XXX (in optional color))

Plus one of the following speaker kits:

- Kit-Audio, Saddlebag Speakers (2882212)
- Kit-Audio, Trunk Speakers (2882213)

This Kit includes:



REF	QTY	PART DESCRIPTION	PART NUMBER
1	1	Audio Module Amplifier, ,40VPP - 2 X 50W	4015981
2	1	Amplifier Cover	5260564
3	2	Screw, Hex Flange - M5 X 0.8 X 16	7517277
4	2	Nut, Hex - M5 X 0.8, Nyloc	7546601
5	2	Washer, #10 - 0.219 X 0.50 X 0.062	7555799
	1	Instructions	9927383

TOOLS REQUIRED

- 6mm External Hex Wrench
- Ratchet
- 8mm Wrench
- Torque Wrench
- 8mm Socket
- Drill
- 7mm drill bit

IMPORTANT

Your Indian 40VPP AMPLIFIER KIT is exclusively designed for your vehicle. Please read the installation instructions thoroughly before beginning. Installation is easier if the vehicle is clean and free of debris. For your safety, and to ensure a satisfactory installation, perform all installation steps correctly in the sequence shown.

ASSEMBLY TIME

Approximately 30 minutes

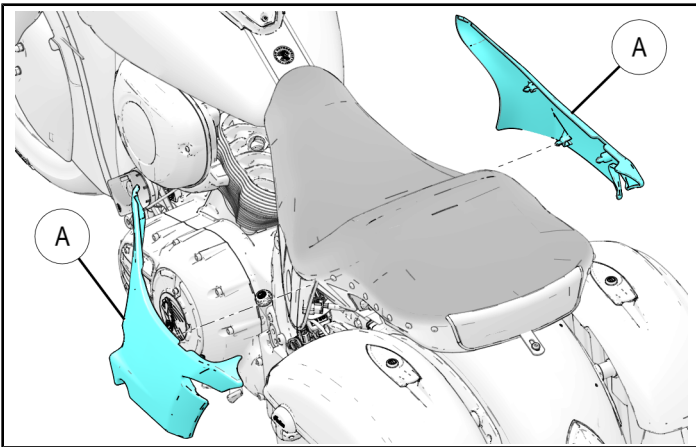
INSTALLATION INSTRUCTIONS

Vehicle Preparation

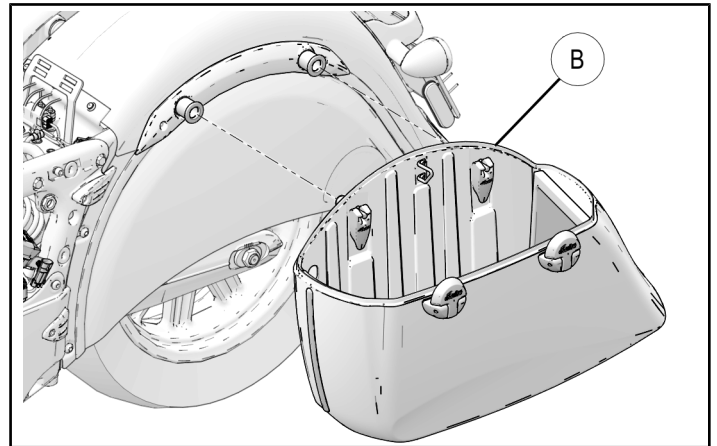
1. Ensure ignition is off and the vehicle is cooled down.

REMOVAL

1. Remove both the right and left hand side covers (A).

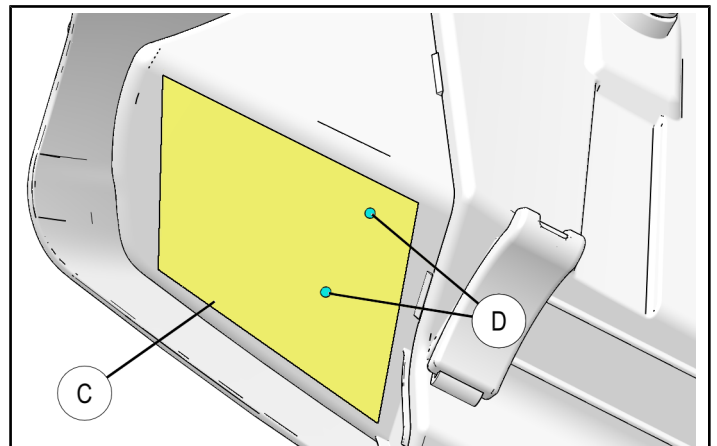


2. Disconnect the LH saddlebag lock wiring harness and remove the LH saddlebag (B). Place on a soft cloth to avoid damaging the painted surfaces.



INSTALL AMPLIFIER

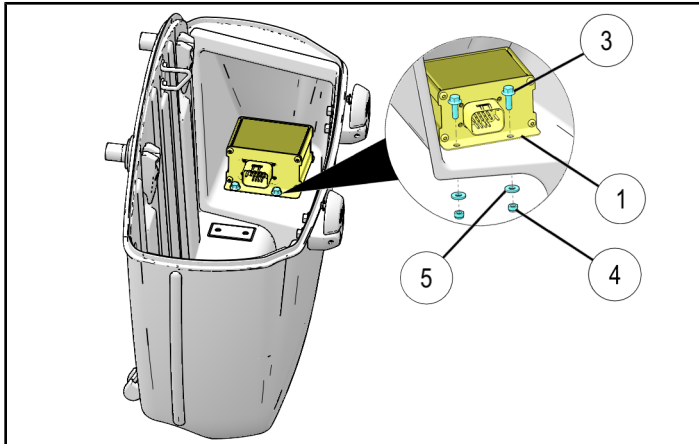
1. Use the template (C) provided in the instructions to drill two 7mm diameter holes (D) in the bottom of the LH saddlebag as shown. This is where the amplifier will mount.



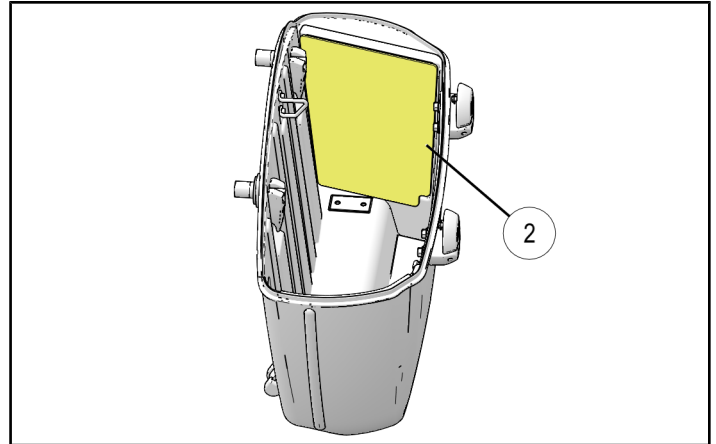
2. Mount the amplifier ① in the bottom of the LH saddlebag with the holes that were drilled previously. The connector on the amplifier should face forwards as shown in figure. Install two screws ③, washers ⑤, and nuts ④ provided in the kit. Torque screws to specification.

TORQUE

45 in. lbs. (4.95 Nm)



3. Locate the amplifier cover plate ②. The cover plate will be mounted to hide the rear portion of the saddlebag, as shown in the figure. Clean the mounting surfaces on the saddlebag with isopropyl alcohol or similar to ensure proper adhesion. Remove the backing paper from the two Velcro straps and install the amplifier cover plate ② to the LH saddlebag. Apply pressure to the top and bottom of the plate to ensure proper adhesion before separating the Velcro strips.



4. Follow the instructions in the speaker kit, for either trunk speakers or saddlebag speakers, to complete the audio installation.

THIS PAGE IS INTENTIONALLY LEFT BLANK

Template for Amplifier Mounting

